

- Durable polyethylene construction
- Three pints of working capacity
- Built-in air pump allows good working pressure to be obtained within moments.
- The adjustable spray nozzle allows a complete range of spray patterns.

Description

The No. 50P Poly Sprayer is constructed of high density polyethylene. The nozzle is adjustable and the flow rate is controlled by a thumb lever. It comes with a 7" polyethylene pump and has a 3 pint working capacity.

Principal Uses

The No. 50P Poly Sprayer can be used for spraying solutions of CalClean®, Special HD CalClean®, Alka-Brite® Plus, Nu-Brite®, and other quality Nu-Calgon coil cleaners on air conditioning cooling coils, air-cooled condensers, finned heating coils, refrigeration case or cooler coils, permanent air filters and other greasy, dirty surfaces.

Packaging

1 each **4770-0**

Operation

1. Visually inspect sprayer and insure that the sprayer is in good working order.
2. Remove the pump assembly from tank by turning it counterclockwise.
3. To minimize foaming when preparing cleaning solution, add water to the tank before adding the Nu-Calgon coil cleaner. Fill tank to the desired level, not higher than the top (1.5L) mark on side of tank.
4. Close tank by inserting pump assembly through opening. Tighten cap clockwise until pump is sealed tightly into the tank (hand-tighten only).

Sprayers

No. 50P Poly Sprayer



5. Pump plunger to compress air and create pressure in tank. When tank is full (1.5L mark), 20 strokes will provide a good working pressure. As pressure drops during use, recharge with 6-10 or more pump strokes. More strokes will be needed if the tank is not full. Note that excessive pressure can result in unwanted spray drift.
6. Nozzle tip may be adjusted to provide a single-needle stream (tip screwed all the way out) or a fine mist (tip screwed all the way in). The needle spray should be used on finned coils to reach the third and fourth banks better. Mist is better for cleaning permanent filters.
7. Allow cleaning solution to remain to contact with dirty surfaces for about 15 minutes, then flush with water from a hose. If a hose is not available, fill sprayer with water and flush using a coarse spray.

Relieving Pressure

1. Turn tank upside down and hold shut-off handle open until all air pressure is gone from tank.
2. Stand sprayer up and tilt it so top is pointed away from you. Slowly turn handle to the left (counterclockwise) until pump assembly is loose and can be removed. NOTE: Never stand with head or body over pump. If pump does not turn freely when removing, make sure there is no pressure in tank.

Care for Sprayer

1. Do not leave solution in tank after using.
2. After using, rinse with clear water and drain completely.
3. Store upside down in dry place. Remove pump and hang separately.
4. Pump works easier, pumps faster if you apply petroleum jelly to the plunger cup and oil the pump handle with clean oil occasionally.

Troubleshooting

If you cannot build up pressure:

Remove pump. Hold rubber check valve on end of pump closed and operate pump. If little or no resistance is felt on down stroke, the plunger O-ring is probably at fault. Unscrew pump cylinder and pull plunger out. Inspect O-ring for scoring, cracking or dirt. If O-ring appears damaged, replace and apply petroleum jelly to side of plunger O-ring. Inspect check valve on bottom of cylinder for dirt or damage. Replace if necessary. Carefully insert plunger assembly into cylinder and retighten cylinder (clockwise). Test pump operation.

If shut-off leaks:

If shut-off valve leaks check nozzle O-ring for cracks or dirt. Also check nozzle for dirt. After long use, nozzle cap may wear and should be replaced if necessary.

Incorrect spray pattern:

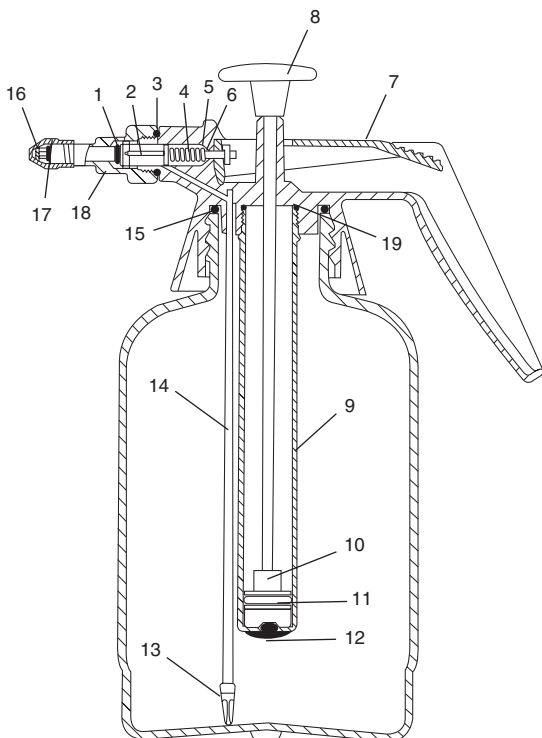
This is almost always caused by dirt inside nozzle. After long use, nozzle cap may wear and should be replaced if necessary.

CAUTION:

1. Read this product bulletin and these cautions completely before operating this sprayer.
2. Wear eye protection when spraying.
3. Avoid contact with spray and spray solutions.
4. Do not put heated or self-heating solutions into this sprayer.
5. If any component of sprayer shows signs of deterioration or damage, replace it before using sprayer.
6. Leave room in tank for head of air.
7. Release pressure if you interrupt spraying.
8. Read label and all instructions for use of chemical to be applied to be sure this sprayer is the proper tool for application.

Read and understand the product's label and Material Safety Data Sheet ("MSDS") for precautionary and first aid information.

The MSDS is available on the Nu-Calgon website at www.nucalgon.com or is returnable by U.S. Mail upon request.



REPLACEMENT PARTS:

- | | | |
|-----|--------|------------------|
| 1) | * | "O" Ring |
| 2) | * | Valve Pin |
| 3) | * | "O" Ring |
| 4) | * | Spring |
| 5) | * | Washer |
| 6) | * | "O" Ring |
| 7) | * | Lever |
| 8) | 05P01 | Knob |
| 9) | 05P02 | Cylinder |
| 10) | 05P03 | Plunger |
| 11) | * | Plunger "O" Ring |
| 12) | * | Check Valve |
| 13) | 05P05 | Filter |
| 14) | 05P06 | Supply Tube |
| 15) | * | "O" Ring |
| 16) | * | Nozzle |
| 17) | * | "O" Ring |
| 18) | 05P07 | Nozzle Body |
| 19) | * | "O" Ring |
| | *05SPK | SPARE PARTS KIT |

